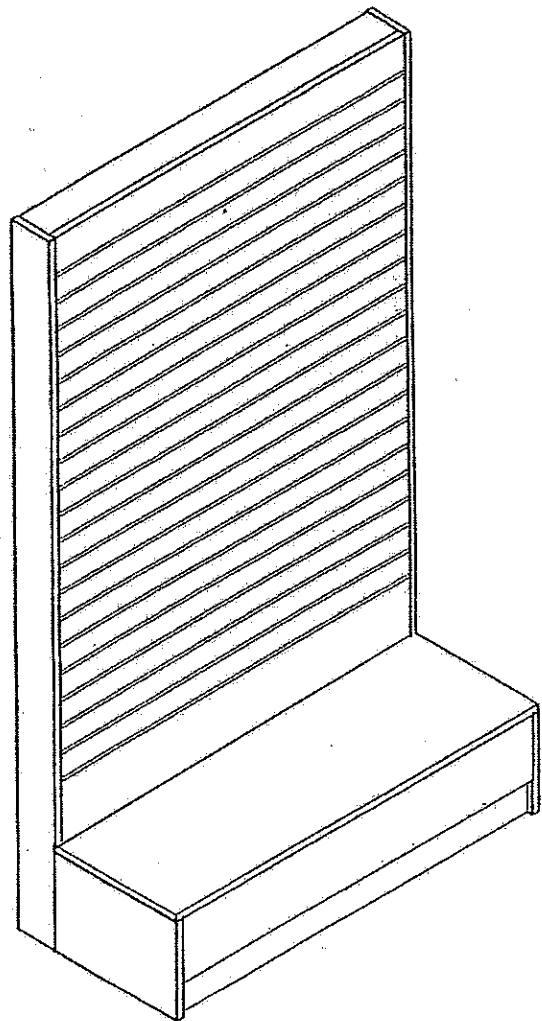
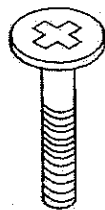
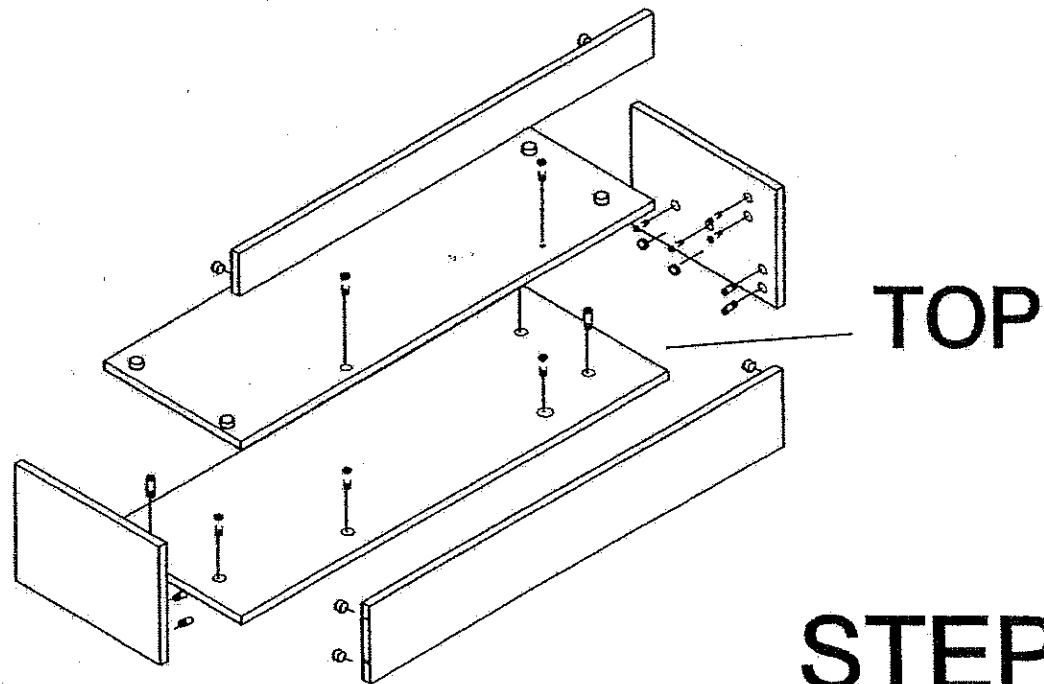


# L SHAPE SLATWALL STAND

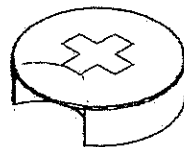


## ASSEMBLY INSTRUCTIONS

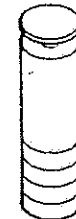
NOTE: IT IS RECOMMENDED THAT TWO PERSONS ASSEMBLE THIS UNIT



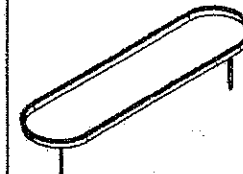
8 PCS



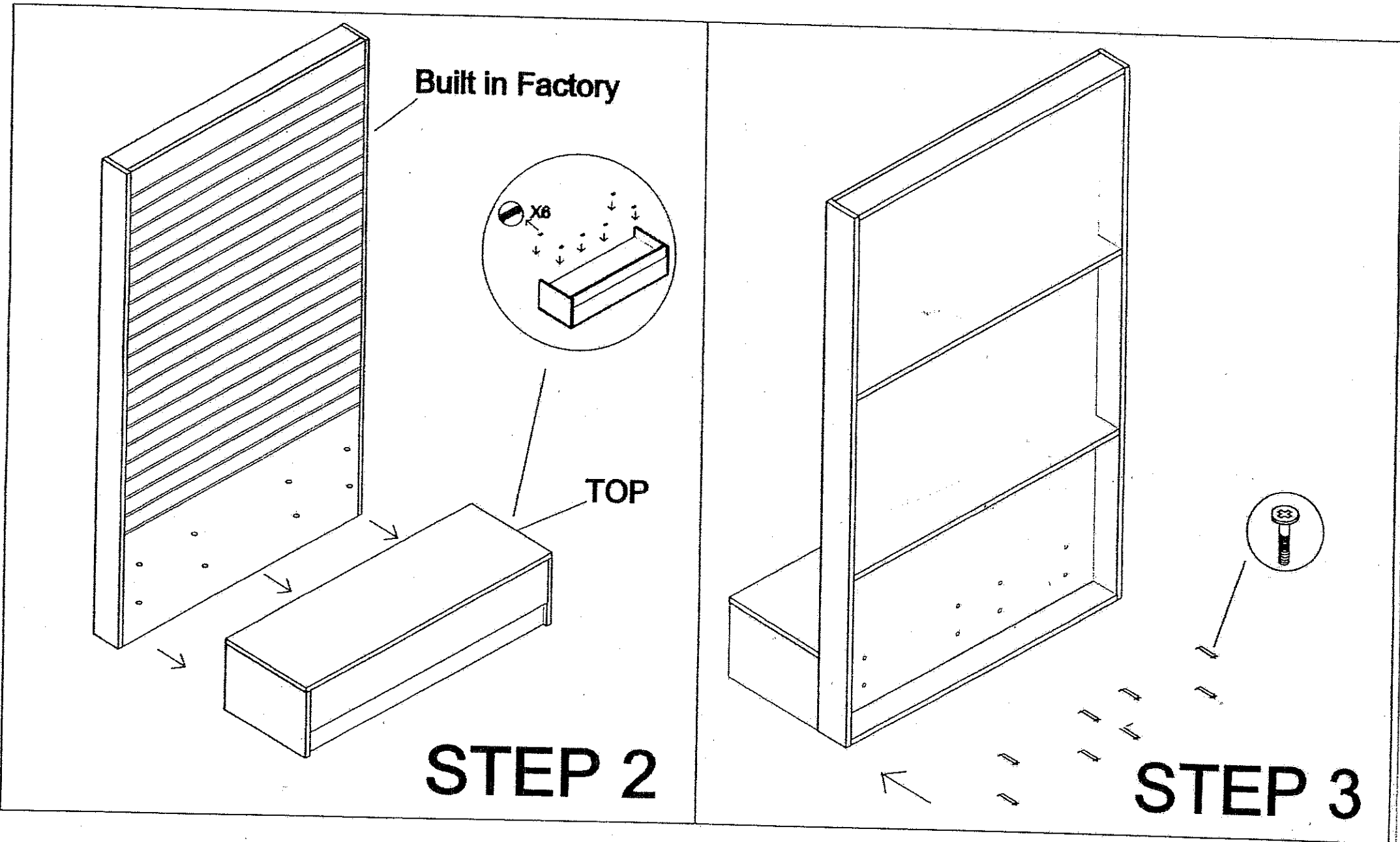
21 PCS



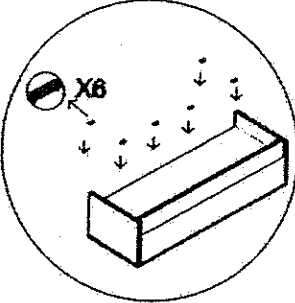
21 PCS



6 PCS



Built in Factory



TOP

STEP 2



STEP 3